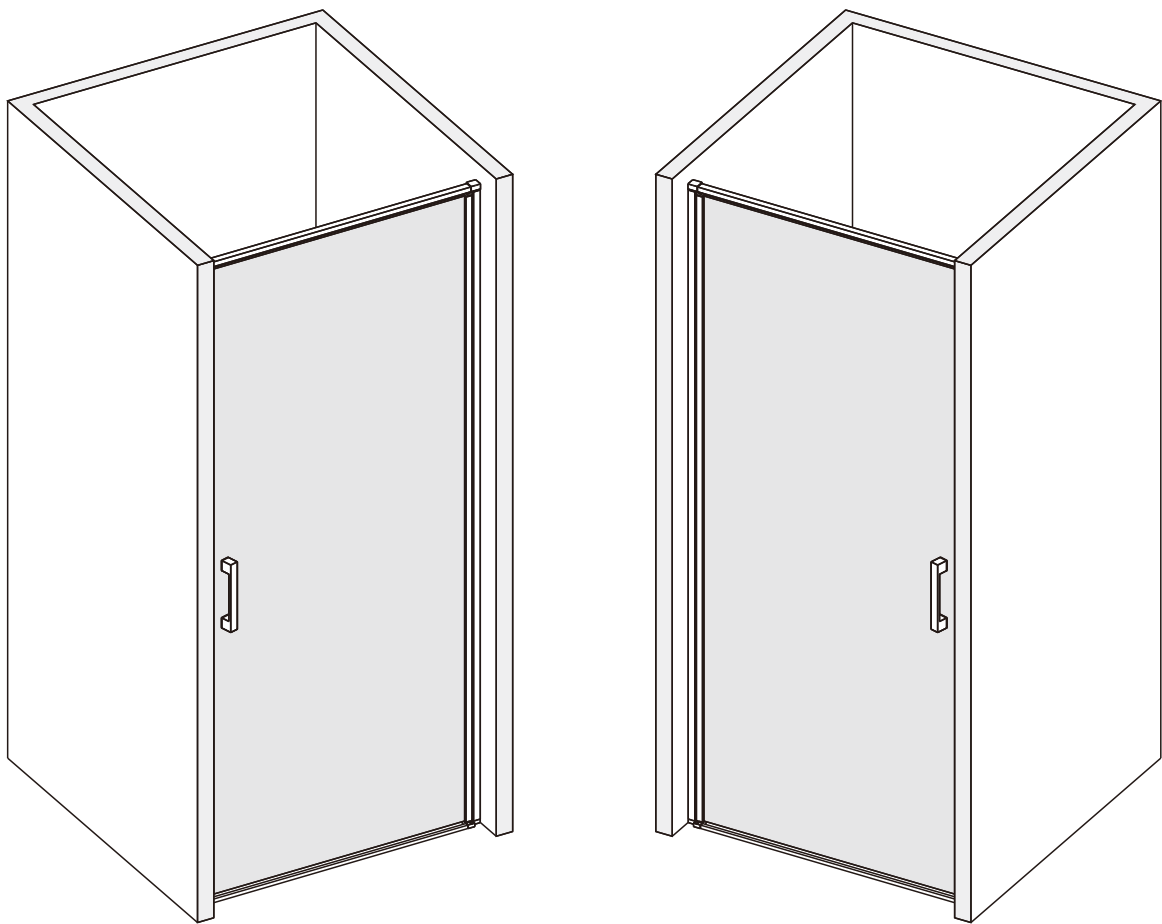
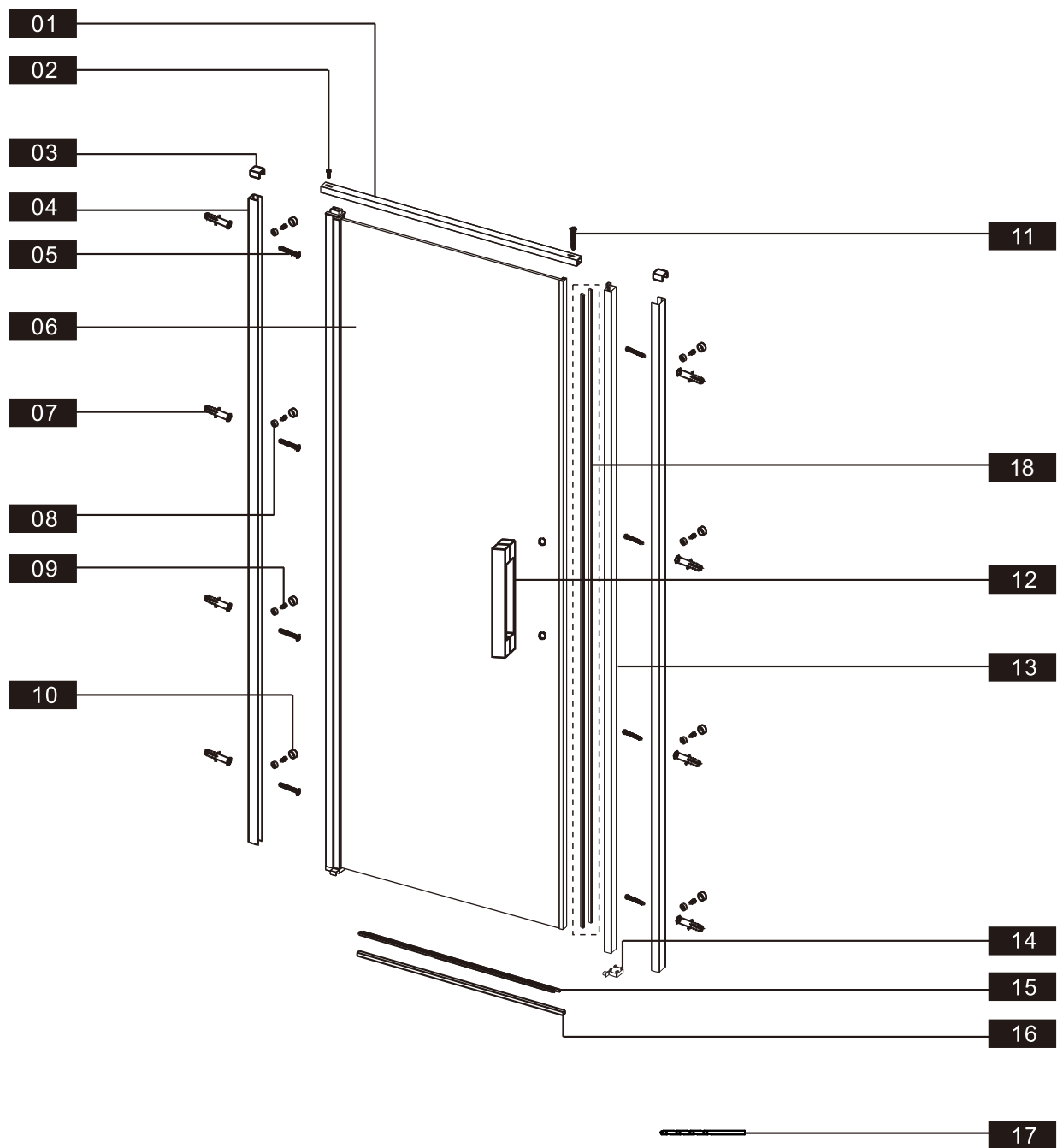


END90  
END100

INSTALLATIE HANDLEIDING



# Produkt overzicht:



This product is heavy and will require two people to install.



nummer	tekening	aantal	codering	codering	description
01		1 PCS	B0647	9-ENR01A	Upper profile for door 90cm
				9-ENR01B	Upper profile for door 100cm
02	M4X14	1 PCS	B0646		
03		2 PCS	B0652	9-ENR02	Cover for wallprofile
04		2 PCS	B0628	9-ENR03	wallprofile
05	ST4X35	8 PCS	B0339		
06		1 PCS	B0655		
07		8 PCS	B0050		
08		8 PCS	B0126	9-ENR04	Mounting ring for wallprofile
09	ST4X10	8 PCS	B0134		
10		8 PCS	B0241	9-ENR05	Cover for mounting wallprofile
11	ST3.5X40	1 PCS	B0376		
12		1 PCS	B0626	9-ENR07	Handle
13		1 PCS	B0656	9-ENR021	Leaking strip vertical
14		1 PCS	B0657	9-ENR022	End cover for floor strip
15		1 PCS	B0638	9-ENR09A	Leaking strip horizontal 90cm
				9-ENR09B	Leaking strip horizontal 100cm
16		1 PCS	B0643	9-ENR10A	Floor strip 90cm
				9-ENR10B	Floor strip 100cm
17	$\phi 2.8\text{mm}$	1 PCS	B0154		
18		2 PCS	B0860	9-ENR30	Magnetic strip

**Benodigde gereedschap:**



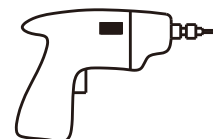
ROLMAAT



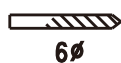
SILICONEN



POTLOOD



BOORMACHINE



6 $\phi$   
BOOR



INBUSSLEUTEL



MES



KRUISKOP



WATERPAS



HAMER

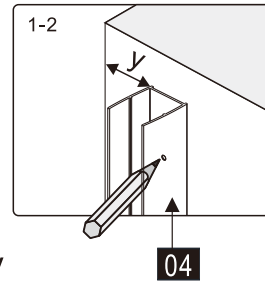
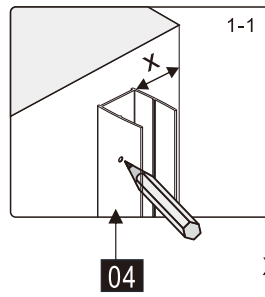
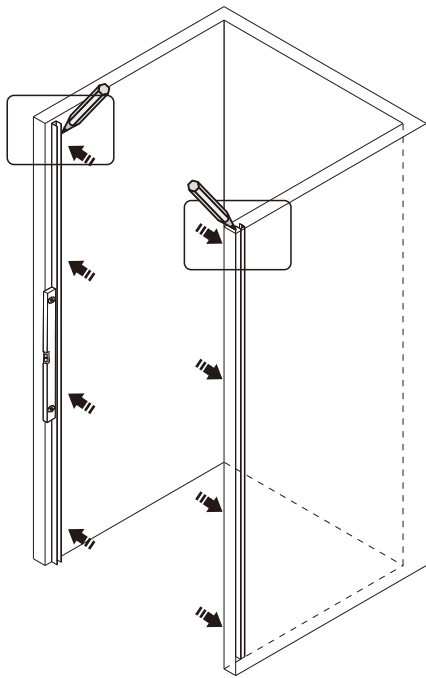


SCHAAR

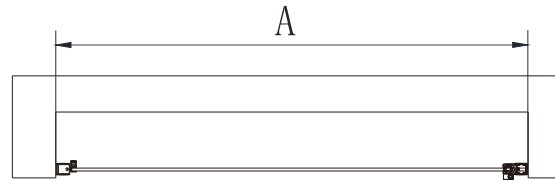


This product is heavy and will require two people to install.

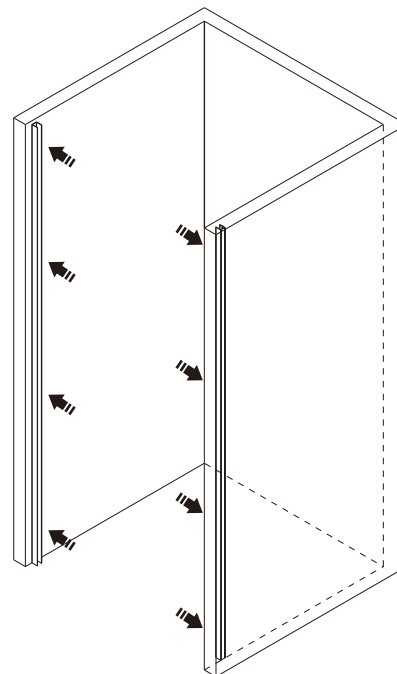
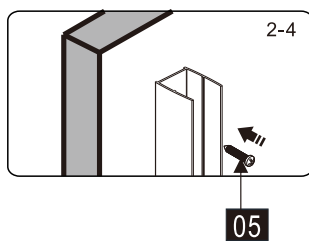
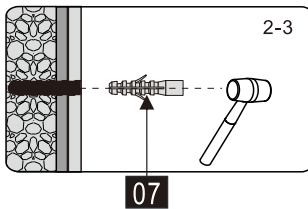
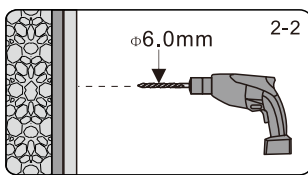
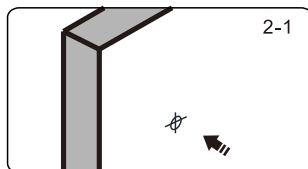




$x=y$

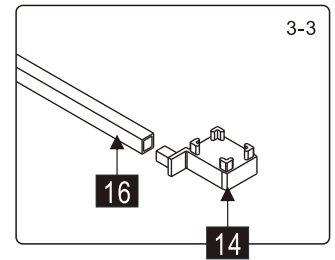
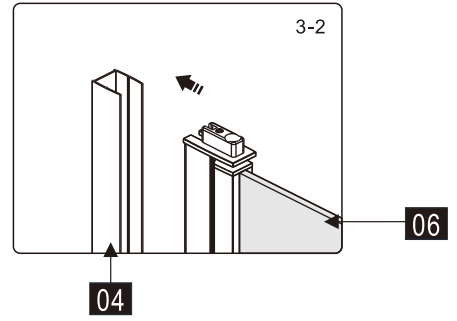
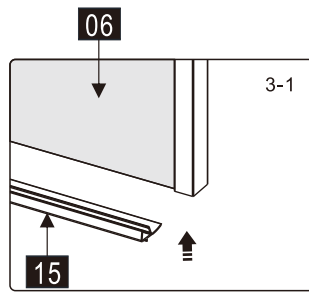
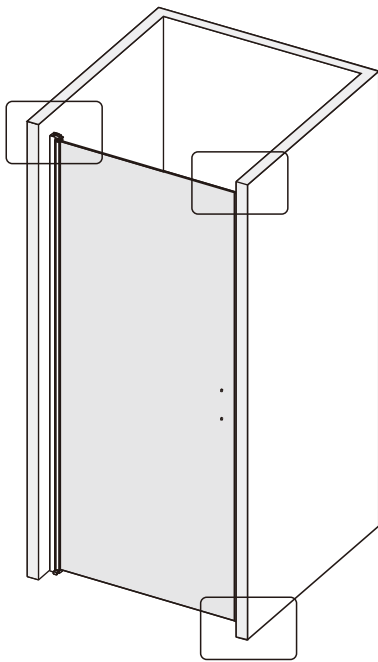


MAAT(MM)	A
900	880~906
1000	980~1006



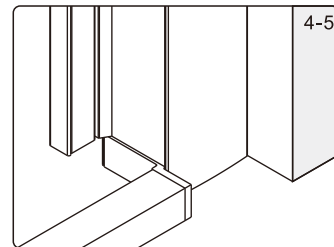
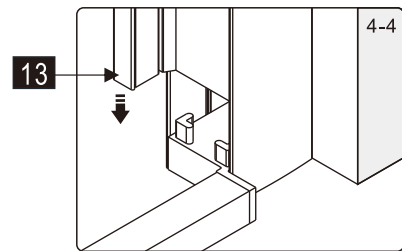
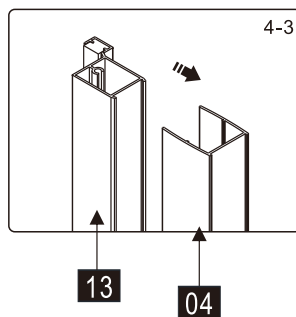
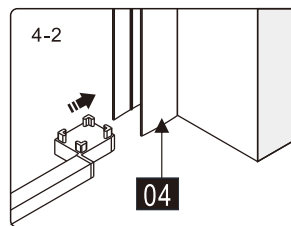
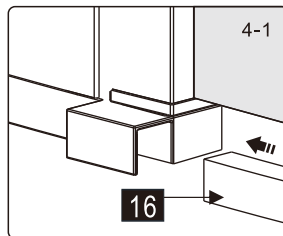
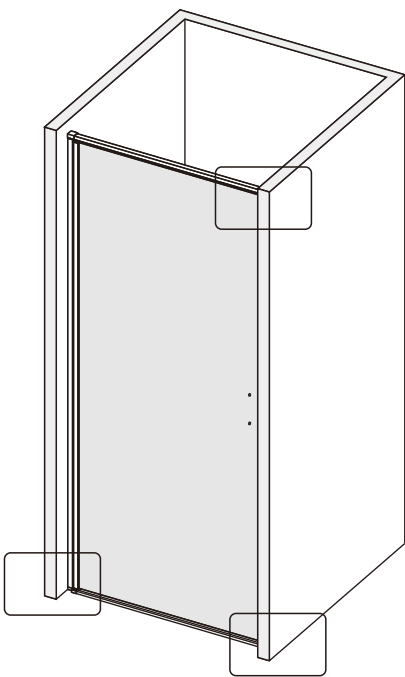
This product is heavy and will require two people to install.





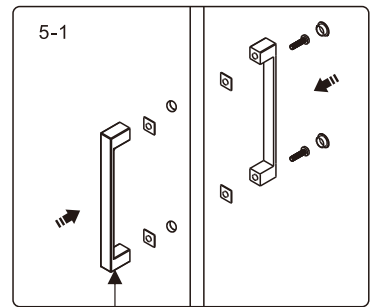
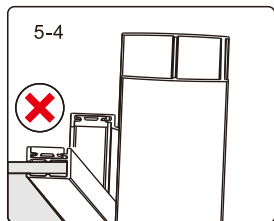
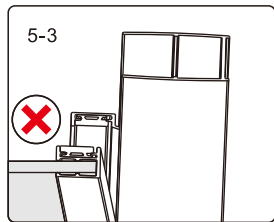
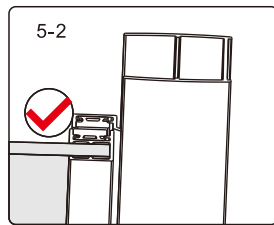
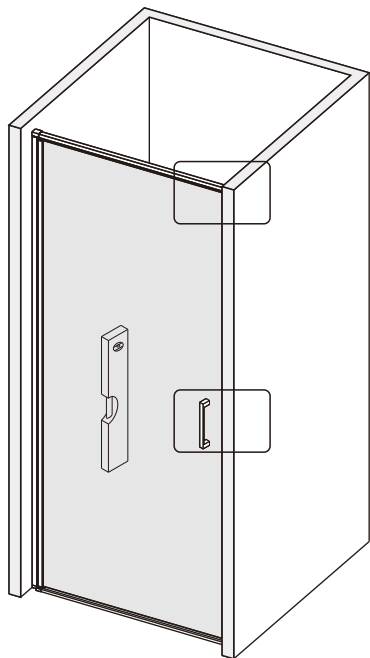
LET OP! LINKER  
VERSIE AFGEBEELD

5

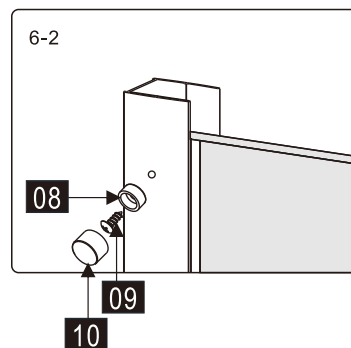
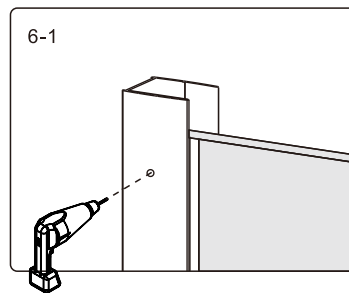
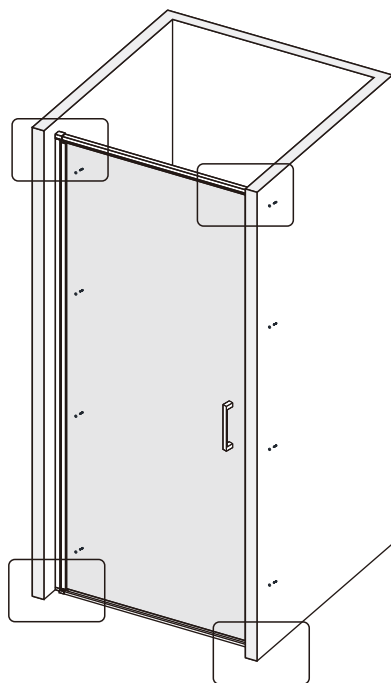


This product is heavy and will require two people to install.



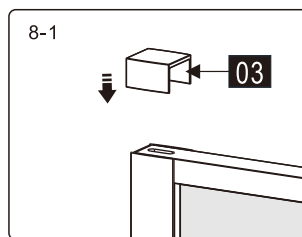
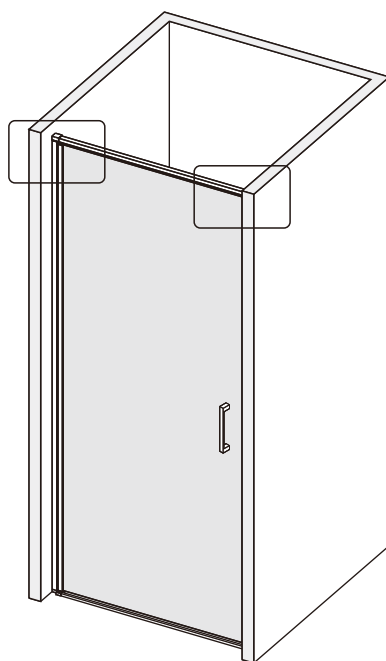
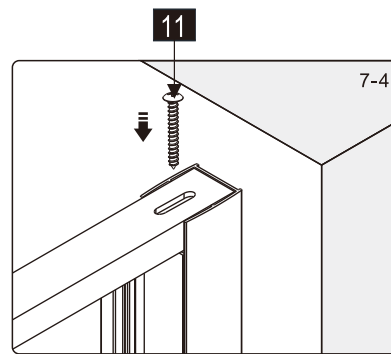
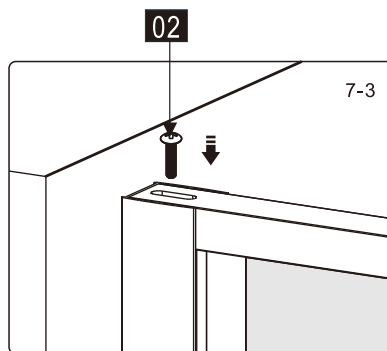
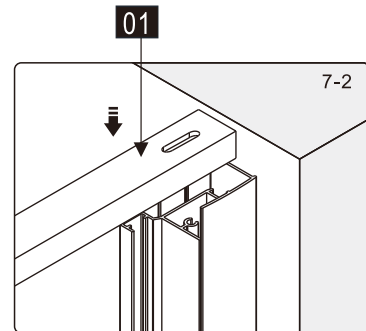
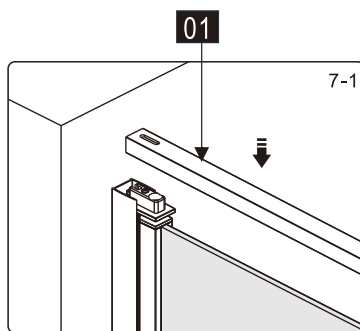
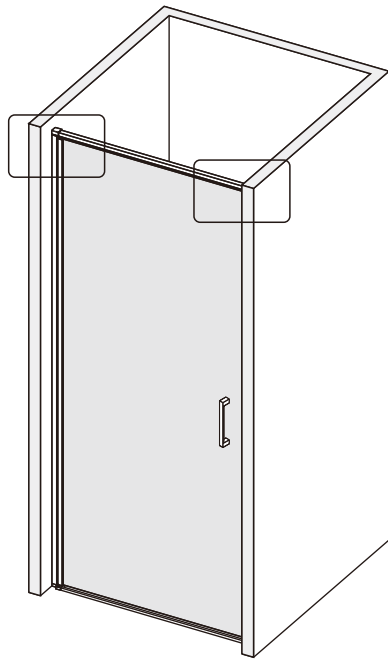


12



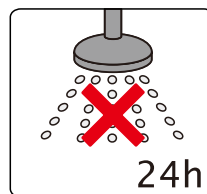
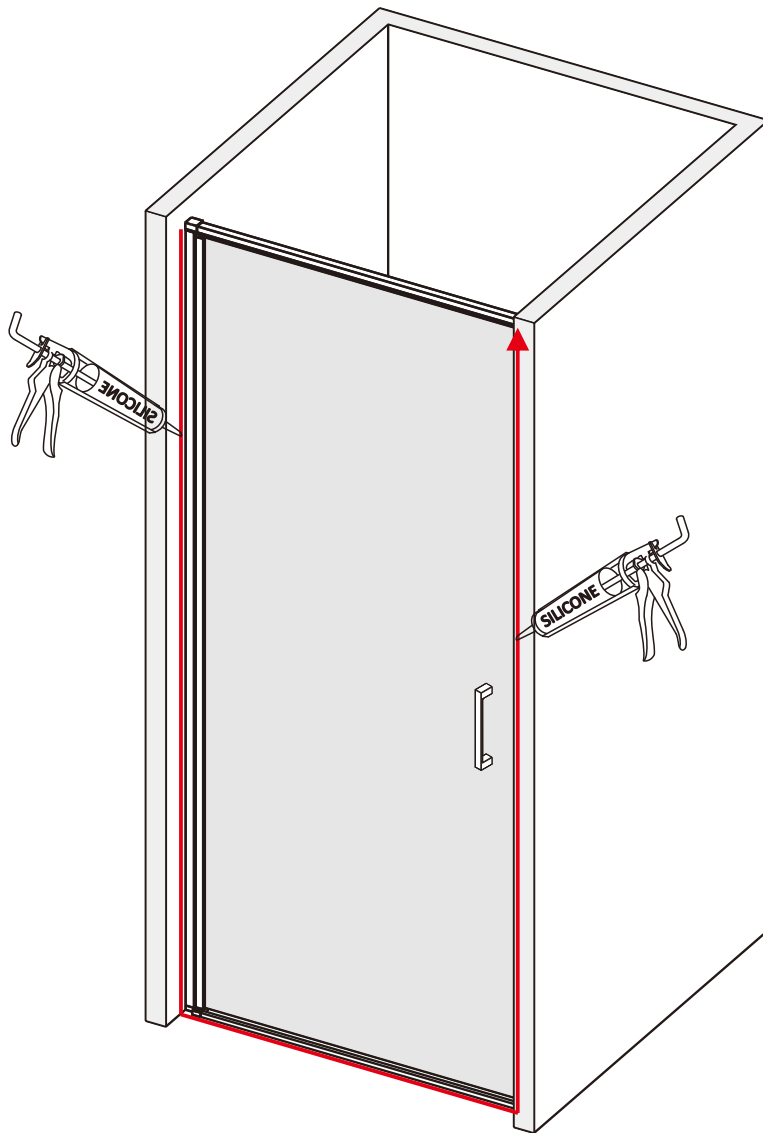
This product is heavy and will require two people to install.





This product is heavy and will require two people to install.





This product is heavy and will require two people to install.

