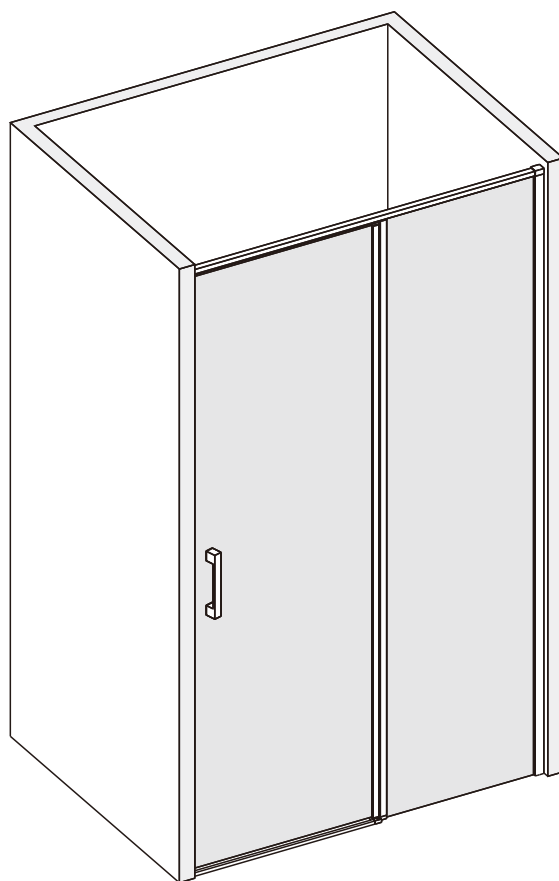
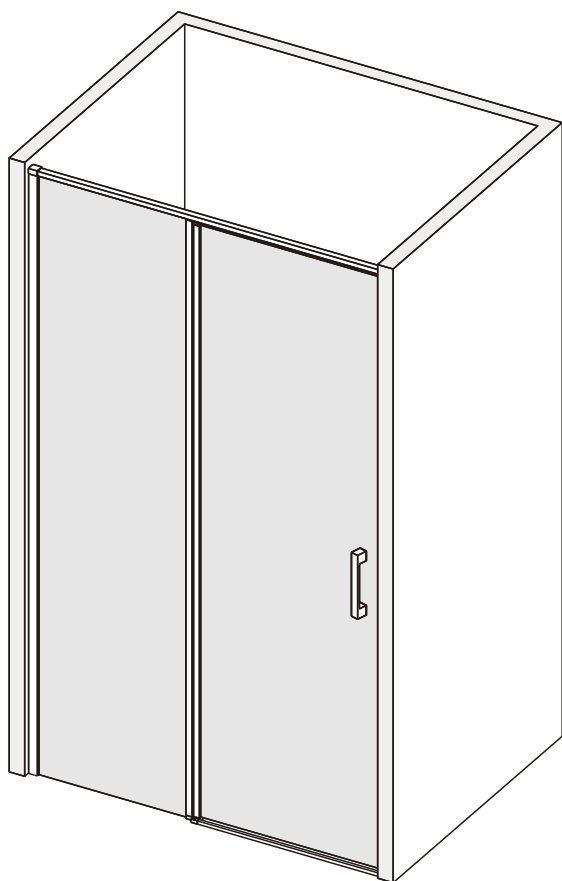
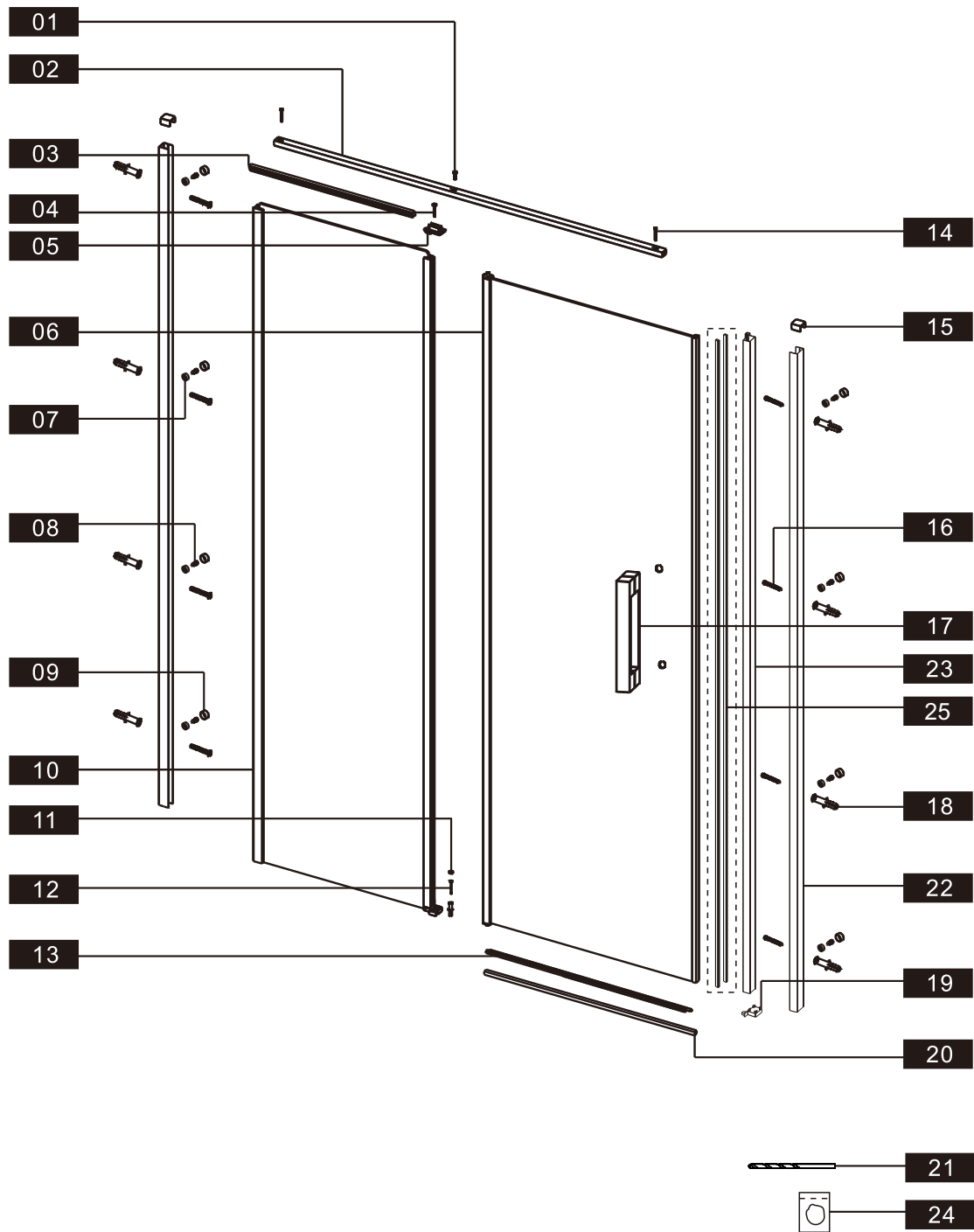


END120

INSTALLATIE HANDLEIDING



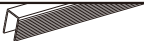
























Produkt overzicht:



This product is heavy and will require two people to install.

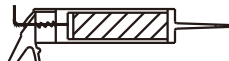


nummer	tekening	aantal	codering	codering	description
01	 M4X14	1 PCS	B0646		
02		1 PCS	B0647	9-ENR01C	Upper profile for door 120cm
03		1 PCS	B0648	9-ENR11	Upper leaking strip for door
04	 ST3.5X35	1 PCS	B0376		
05		1 PCS	B0649	9-ENR12	Cover for solid part and door
06		1 PCS	B0658		
07		8 PCS	B0126	9-ENR04	Mounting ring for wallprofile
08	 ST4X10	8 PCS	B0134		
09		8 PCS	B0241	9-ENR05	Cover for mounting wallprofile
10		1 PCS	B0659		
11		1 PCS	B0630	9-ENR08	Cover for screw floor
12	 ST4X35	1 PCS	B0340		
13		1 PCS	B0638	9-ENR09A	Leaking strip horizontal 90cm
14	 ST3.5X40	2 PCS	B0376		
15		2 PCS	B0652	9-ENR02	Cover for wallprofile
16	 ST4X35	8 PCS	B0339		
17		1 PCS	B0626	9-ENR07	Handle
18		9 PCS	B0050		
19		1 PCS	B0657	9-ENR22	End cover for floor strip
20		1 PCS	B0643	9-ENR10C	Floor strip 120cm
21	 Φ2.8mm	1 PCS	B0154		
22		2 PCS	B0628	9-ENR03	Wallprofile
23		1 PCS	B0656	9-ENR21	Leaking strip vertical
24	 Vaseline	1 PCS	B0667		
25		2 PCS	B0860	9-ENR30	Magnetic strip

Benodigde gereedschap:



ROLMAAT



SILICONEN



POTLOOD



BOORMACHINE



6φ
BOOR



INBUSSLEUTEL



MES



KRUISKOP



WATERPAS



HAMER

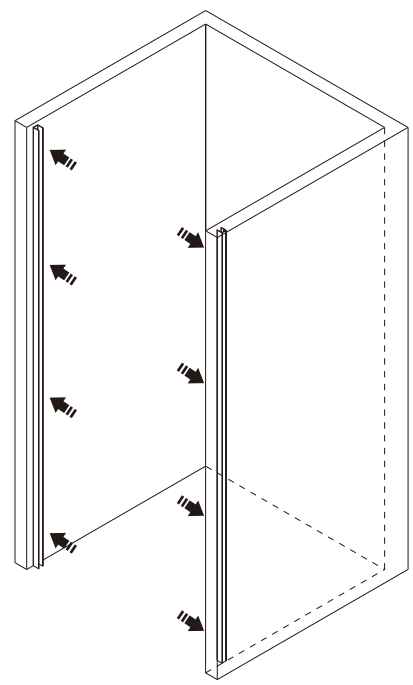
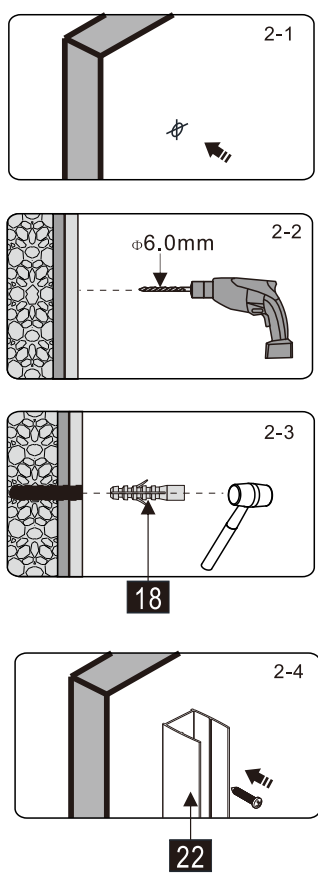
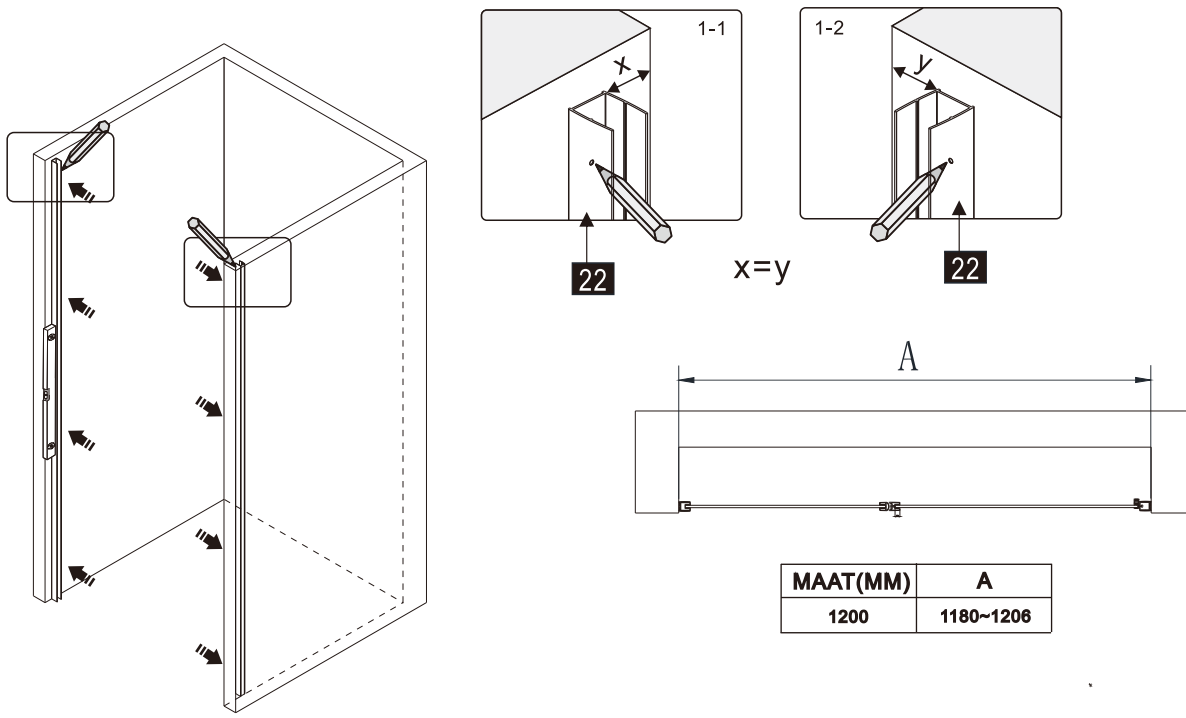


SCHAAR



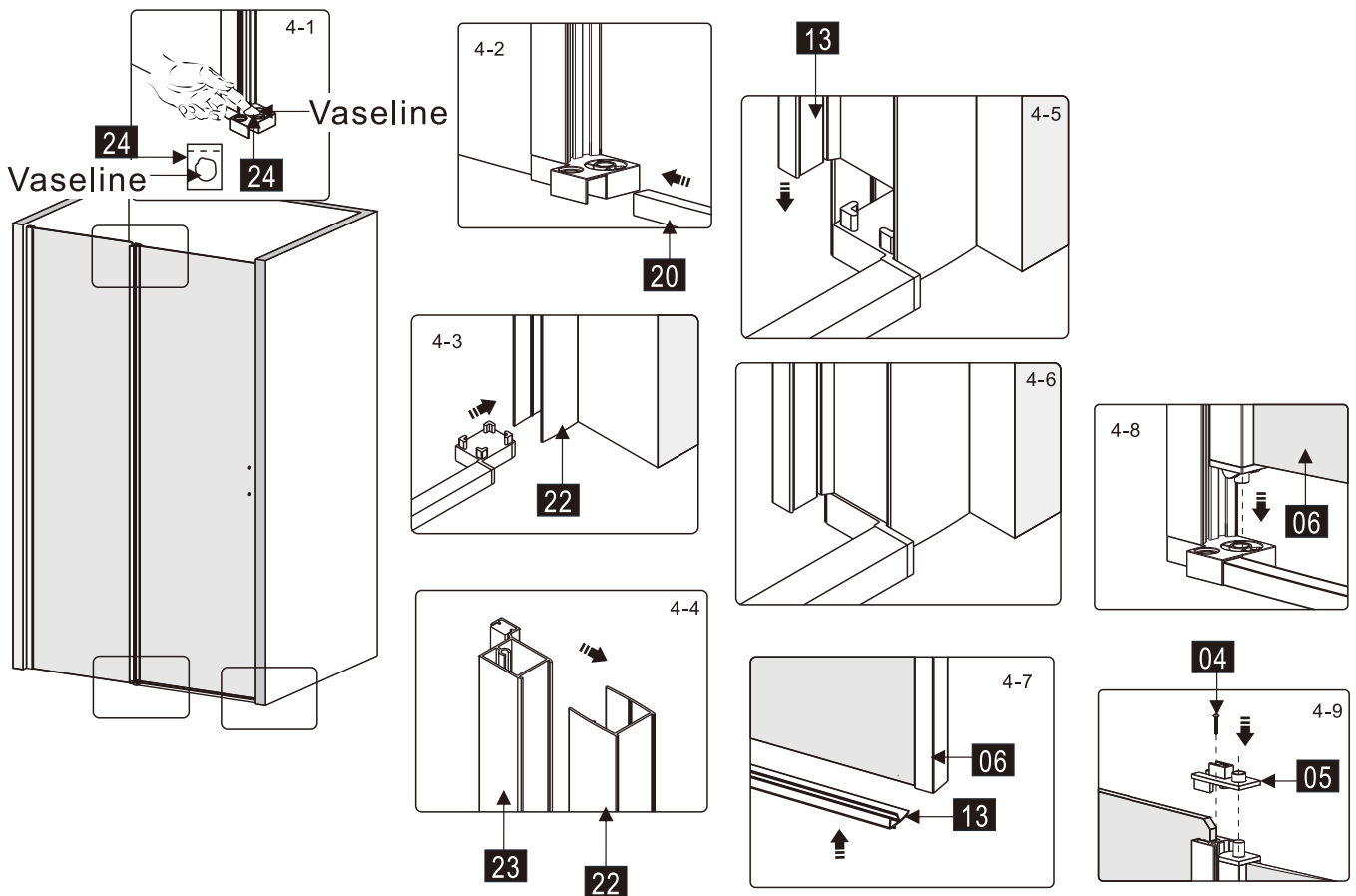
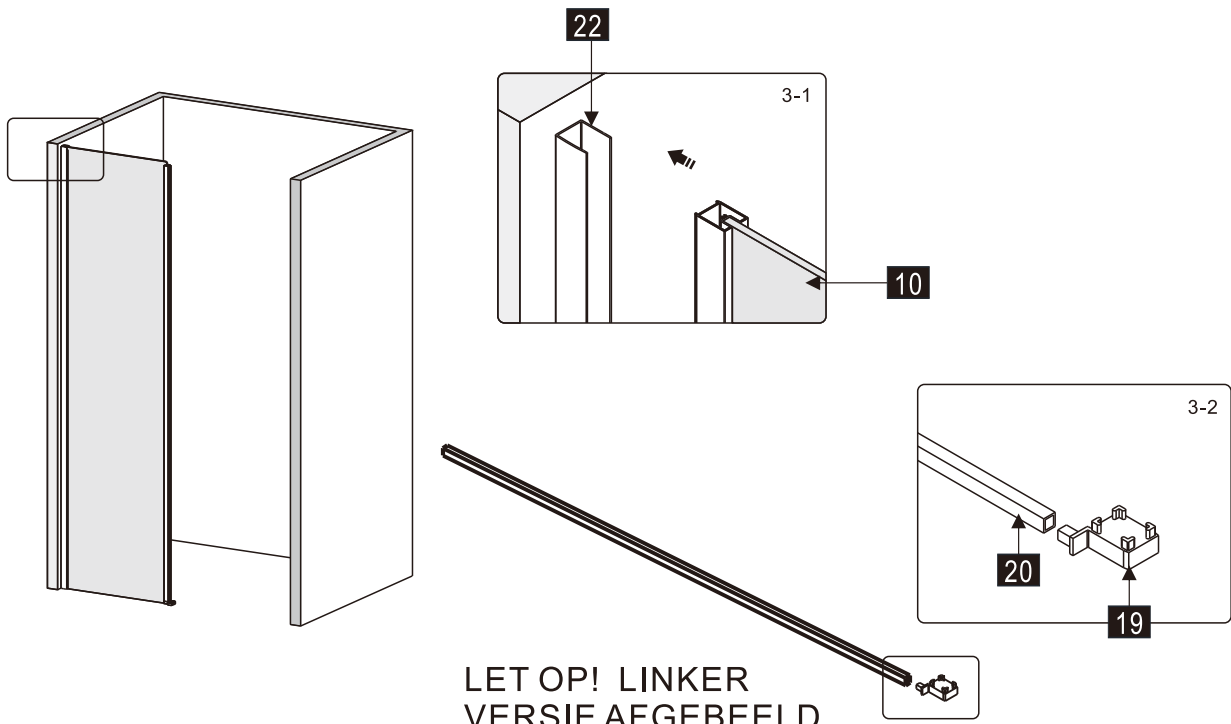
This product is heavy and will require two people to install.





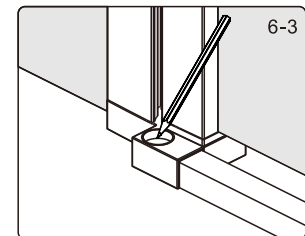
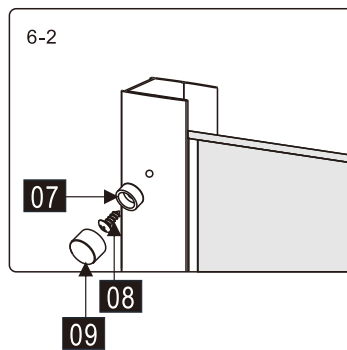
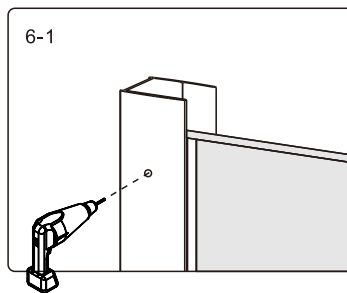
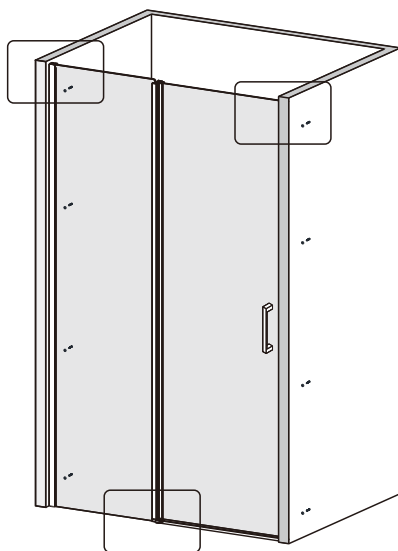
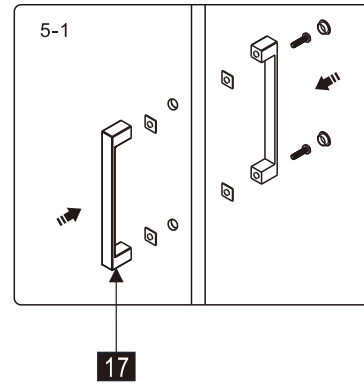
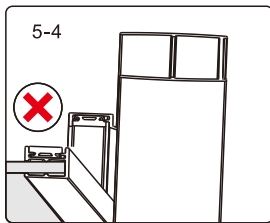
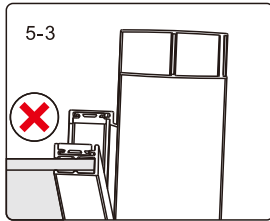
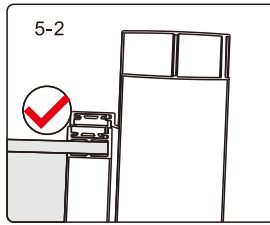
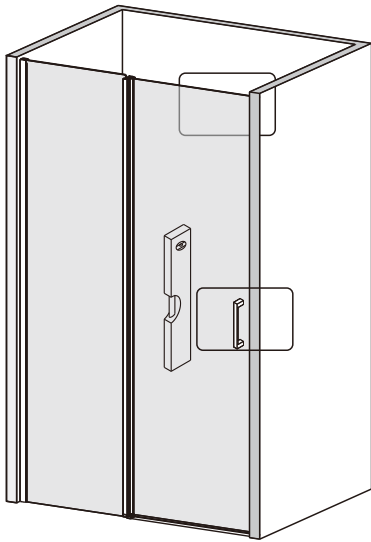
This product is heavy and will require two people to install.





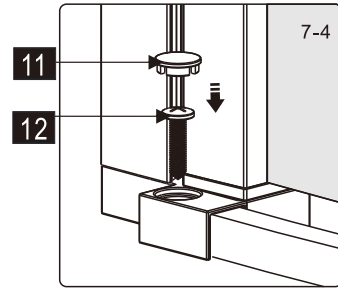
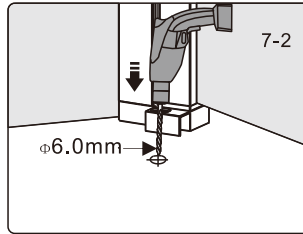
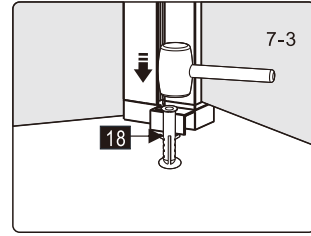
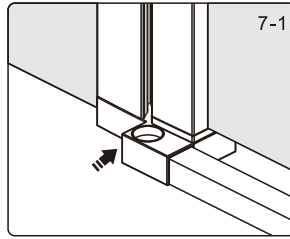
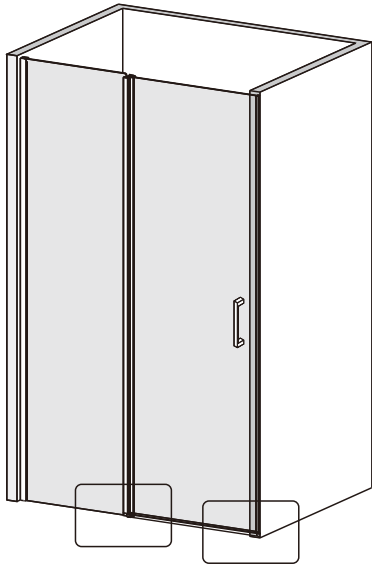
This product is heavy and will require two people to install.



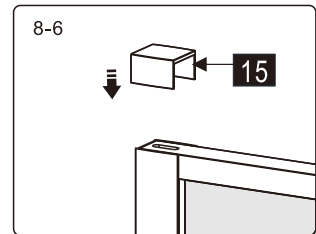
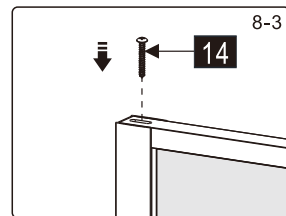
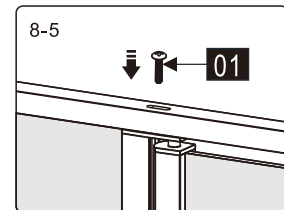
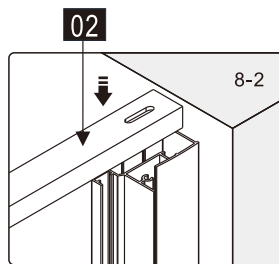
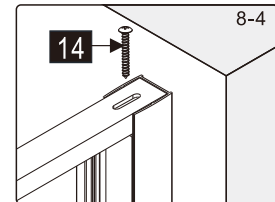
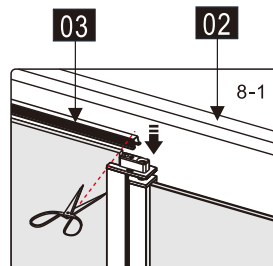
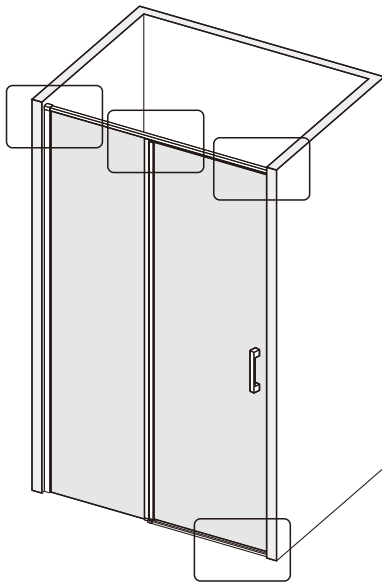


This product is heavy and will require two people to install.



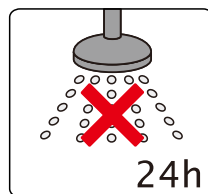
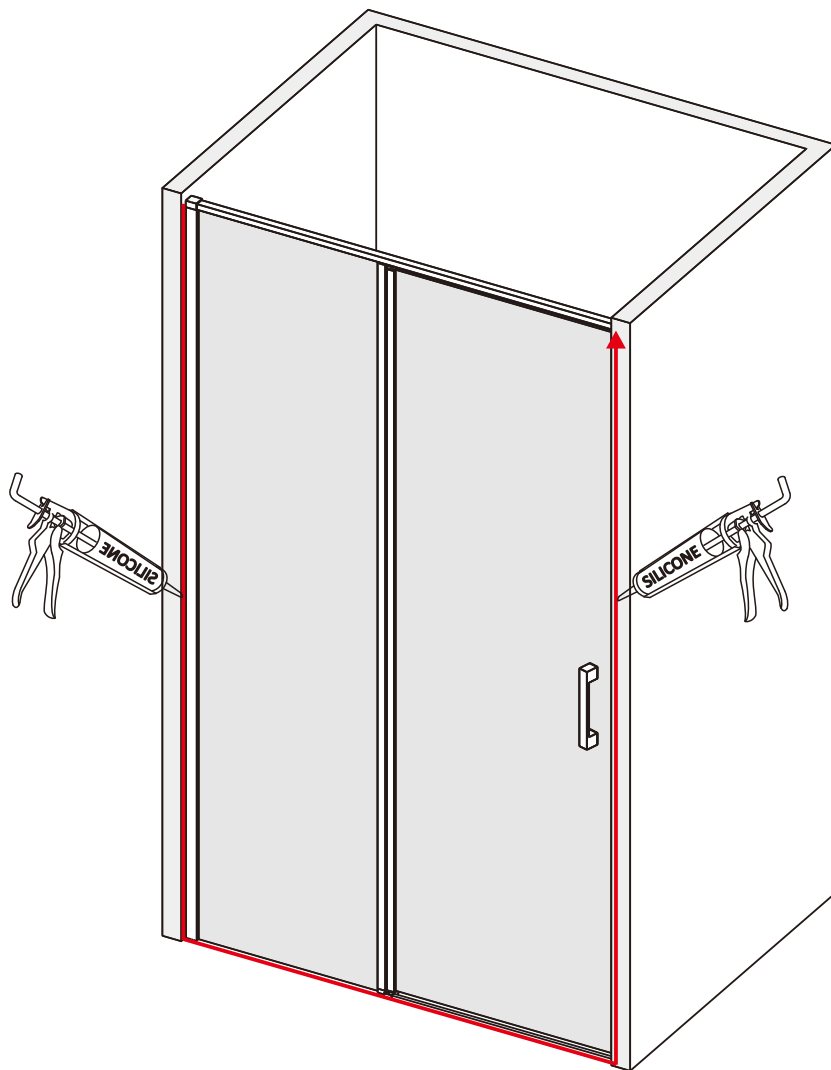


7



This product is heavy and will require two people to install.





This product is heavy and will require two people to install.

