

Stopcock 1/2"

Installation & Maintenance

SPECIFICATION

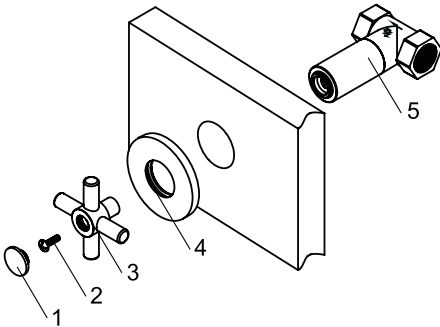
Operating Pressures

Min 0.1 bar - Max 7.0 bar

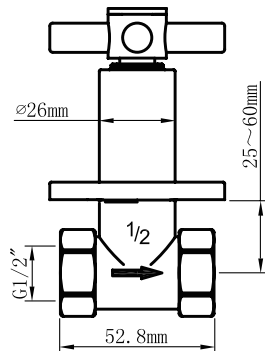
Temperatures

Hot Water Supply - Max. 65 °C

SPARE DRAWING



DIMENSION DRAWING



INSTALLATION

General

Installation must be carried out in accordance with these instructions, and must be conducted by designated, qualified and competent personnel.

The product must be fitted in compliance with the Water Bylaw Regulations.

1. The valve must not be installed in an area where it may freeze.
2. The water supplies to this product must be isolated if the product is not to be used for a long period of time. If pipework for the product is at risk of freezing during this period they should also be drained of water.
3. All pipework must be checked for leaks before the product installation is completed.
4. Flush pipework prior to installation to remove debris from the system.
5. Turn off water supply following system flushing.

Installing the Wall Mounted Mixer

Turn off water supply prior to installation

1. Prepare the recess in the wall for the valve and pipework.
(see first page on dimension drawing for cavity depth).
2. Ensure that the pipe end insert into the valve a minimum of 10mm.
3. Remove the Index(1), Handle Screw(2), Handle(3) and Mounting Plate(4) from the Valve(5).
3. Connect the Valve(5) loosely to the pipework, do not tighten.
4. Hold the Valve(5) in the position inside the cavity and drill the hole on the rear of the wall board for fixing.
5. Connect the Valve(5) to the pipework, do not over tighten.
8. Turn on the water supply and check for leaks.
9. If watertight, push Mounting Plate(4) to Valve(5) until cover all joints, sealant can be used.
10. Re-fit Handle(3) to Valve(5), then fit Handle Screw(2) to Handle(3) and tighten.
11. Fit Index(1) to Handle(3).

MAINTENANCE

Cleaning

To maintain the appearance of this fitting, ensure it is cleaned using only a clean soft damp cloth. A solution of warm water and mild liquid detergent may be used where necessary and then rinsed thoroughly. Abrasive or acidic cleaners MUST NOT BE USED under any circumstances. Avoid contact with solvents.

Please retain these instructions for future reference.